

1480Z FRAME

PRODUCT NUMBER

00148013

DESIGN FEATURES

MATERIALS:

FRAME-GRAY IRON
ASTM A48 CL35B

DESIGN LOAD:

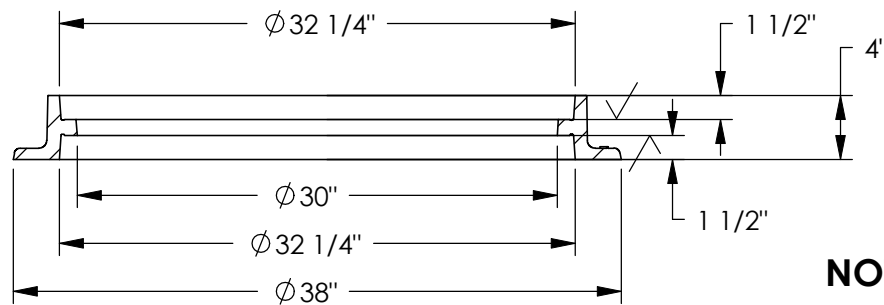
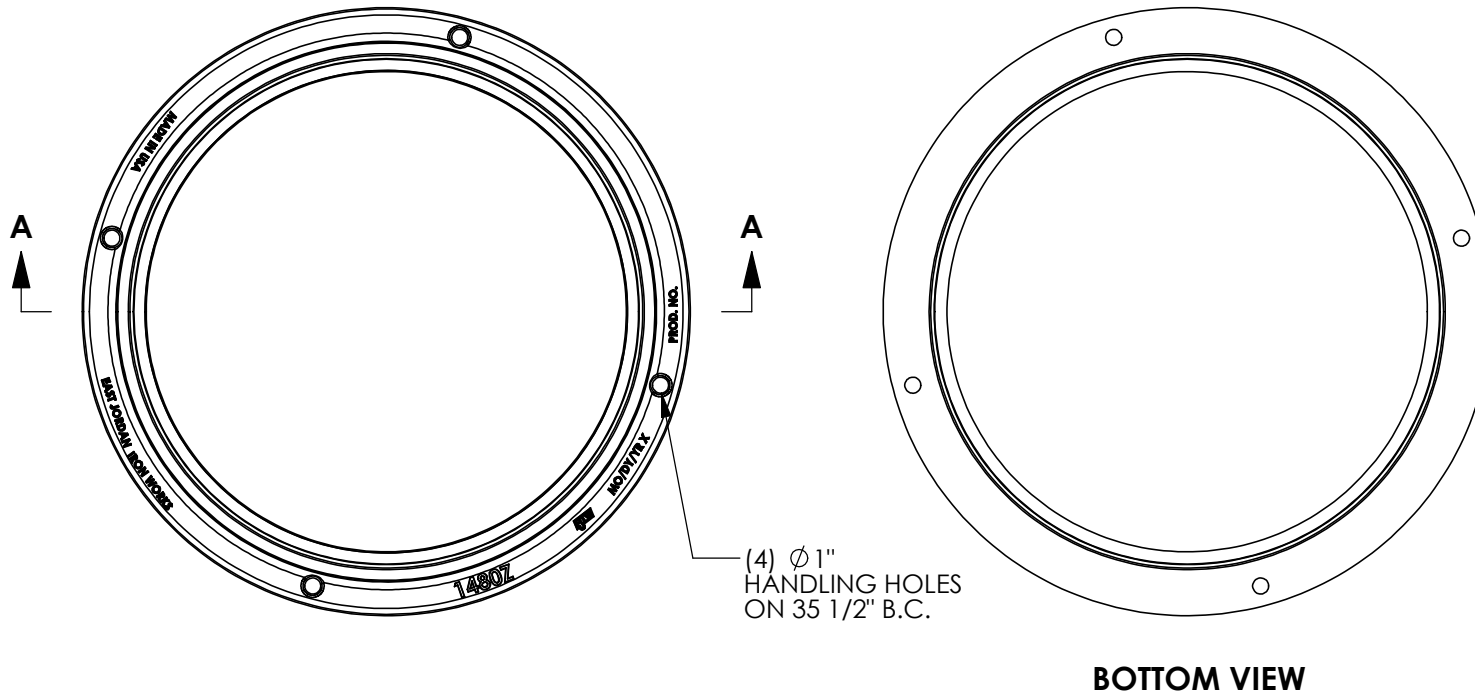
HEAVY DUTY

COATING:

DIPPED

OPEN AREA

N/A



SECTION A-A

NOTE! FRAME IS REVERSIBLE

Corporate
Headquarters
301 Spring Street
PO Box 439
East Jordan, MI
49727-0439
800.874.4100



Call Today for
More Information

800.626.4653

EJIW EAST JORDAN
IRON WORKS EST. 1883
WE COVER YOUR INFRASTRUCTURE®

www.ejiw.com
MADE IN THE USA

DRAWING DETAILS

ORIGINAL DRAWING: DEW 4/5/2000

REVISED BY: DEF 10/15/2009

- Weights (lbs./kg.) dimensions (inches/mm., and drawings provided for your guidance.
- We reserve the right to modify specifications without prior notice.
- Uncontrolled distribution.

CONFIDENTIAL: This drawing is the property of East Jordan Iron works, Inc., and embodies confidential information, registered marks, trade secret information, and/or know how that is the property of East Jordan Iron Works, Inc. ©Copyright 2009 East Jordan Iron Works, Inc.